

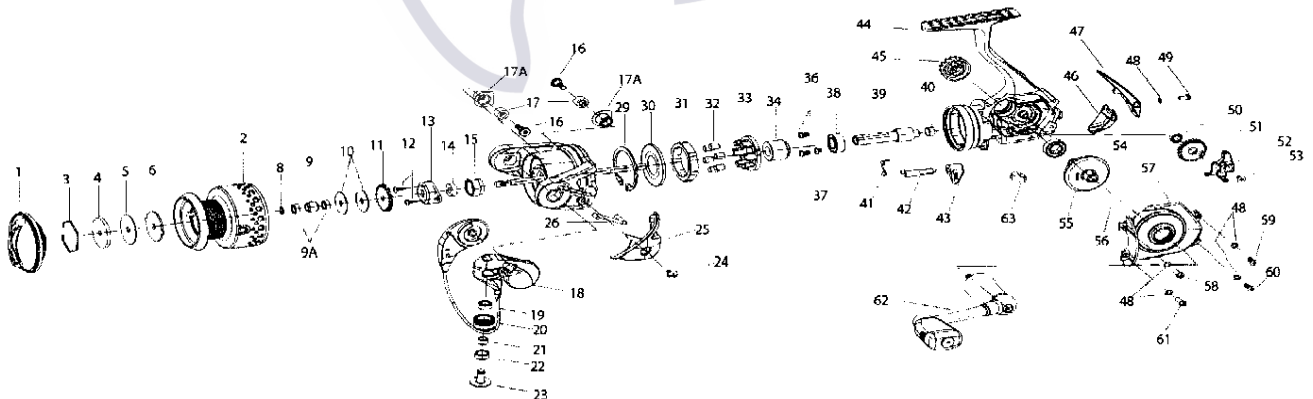


E10PTI-A	5.3:1	125YDS/4LB	8.45 OZ.
E20PTI-A	5.2:1	140YDS/6LB	10.46 OZ

Features

- * Thin-line Aluminum Body and sidecover
- * LMS controlled line management system
- * TiMag III Titanium bail with magnetic bail trip
- * Multi-stack ceramic drag system
- * MAGLOK II Magnetic Continuous Anti-Reverse
- * Polymer-stainless hybrid 10 bearing system
- * Extra hard PT gears
- * Scratch resistant Titanium vacuum deposition coating
- * Machined aluminum handle

KEY #	DESCRIPTION	Energy 10	Energy 20
1	Drag Knob Assembly	RK332-02	SK332-02
2	Spool	RK321-05	SK321-05
3	Drag Retainer	RQ038-01	RQ038-01
4	Drag Washer "D"	SO080-01	SO080-01
5	Drag Washer "B"	RQ033-01	RQ033-01
6	Drag Washer "A"	RO081-01	RO081-01
7	Drag Washer "C"	N/A	N/A
8	Retainer Clip	TK034-01	TK034-01
9	Spool Sleeve	TK121-02	TK121-02
9A	Spool Bearing	EH158-01	EH158-01
10	Spool Adjust Washer	PT030-01	PT030-01
11	Click Gear	RQ037-01	RQ037-01
12	Rotor Nut Lock Screw	RO094-01	RO094-01
13	Rotor Nut Cover	RK214-01	SK214-01
14	Main Shaft Bushing	SK213-01	SK213-01
15	Rotor Nut	SK006-01	SK006-01
16	Bail Pivot Screw	TK111-01	TK111-01
17	Bail Pivot Bushing	TK109-01	TK109-01
17A	Bail Pivot Insert	TK112-01	TK112-01
18	Bail Assembly	RK347-02	SK347-02
19	Line Roller Bearing	GH202-01	GH202-01
20	Line Roller	RK004-02	TK004-02
21	Line Roller Sleeve	TK114-01	TK114-01
22	Line Roller Bushing	TK104-01	TK104-01
23	Line Roller Screw	RK108-01	TK108-01
24	Arm Lever Cover Screw	GU077-01	GU077-01
25	Arm Lever Cover	RK087-03	SK087-03
26	Kick Lever	RK019-01	SK019-01
27	Rotor Sub-Assembly	RK209-03	SK209-03
28	Main Shaft	TQ015-02	TQ015-02
29	Clutch Retaining Ring	RK060-01	IK060-01
30	Clutch Seal Plate	RK166-01	TK166-01
31	Clutch Lock Ring	RK063-01	IK063-01
32	Clutch Roller	RK165-01	TK165-01
33	Clutch Roller Retainer	RK040-01	TK040-01
34	Clutch Sleeve	RK139-01	SK139-01
35	Pinion Washer	AT110-01	AT110-01
36	Pinion Bearing Screw "A"	TK057-21	TK057-01
37	Pinion Bearing Screw "B"	N/A	BH057-11
38	Pinion Ball Bearing	CH028-01	BH028-01
39	Pinion Gear	PQ011-01	RQ011-01
40	Pinion Bushing	PQ141-01	RQ141-01
41	Stopper Cam Spring	RK089-01	TK089-01
42	Stopper Cam	RK090-01	TK090-01
43	Stopper Lever	RQ059-01	RQ059-01
44	Body Sub-Assembly	RK201-02	SK201-02
45	Handle Cap	AT073-76	AT073-76
46	Body Rear Cover Top	RK140-03	SK140-03
47	Body Rear Cover - Bottom	RK140-53	SK140-53
48	Body Cover Screw Washer	RQ142-01	RQ142-01
49	Body Rear Cover Screw	RO057-11	RO057-11
50	O/S Gear Ball Bearing	EH158-01	EH158-01
51	O/S Gear	PQ053-51	RO053-51
52	Oscillation Slider	PQ025-01	RO025-01
53	Main Shaft Screw	RQ100-01	RQ100-01
64	Body Ball Bearing	CH027-01	CH028-01
55	Drive Gear Assembly	PT312-01	QT012-01
56	Body Cover Ball Bearing	CH028-01	CH028-01
57	Body Cover Assembly	RK123-02	SK123-02
58	Body Cover Screw "A"	RO057-04	RO057-04
59	Body Cover Screw "B"	N/A	SK057-11
60	Body Cover Screw "C"	SK057-11	SK057-01
61	Body Cover Screw "D"	RO057-11	RO057-04
62	Handle Assembly	PT318-01	QT318-01
63	Trip Ramp	RK119-01	SK119-01



*This sheet was created: Nov 15, 2005 Reel Introduced: 2006 Reel Discontinued: N/A
 Prices Subject to Change Without Notice Prices Do Not Include Shipping & Handling*